

PDA

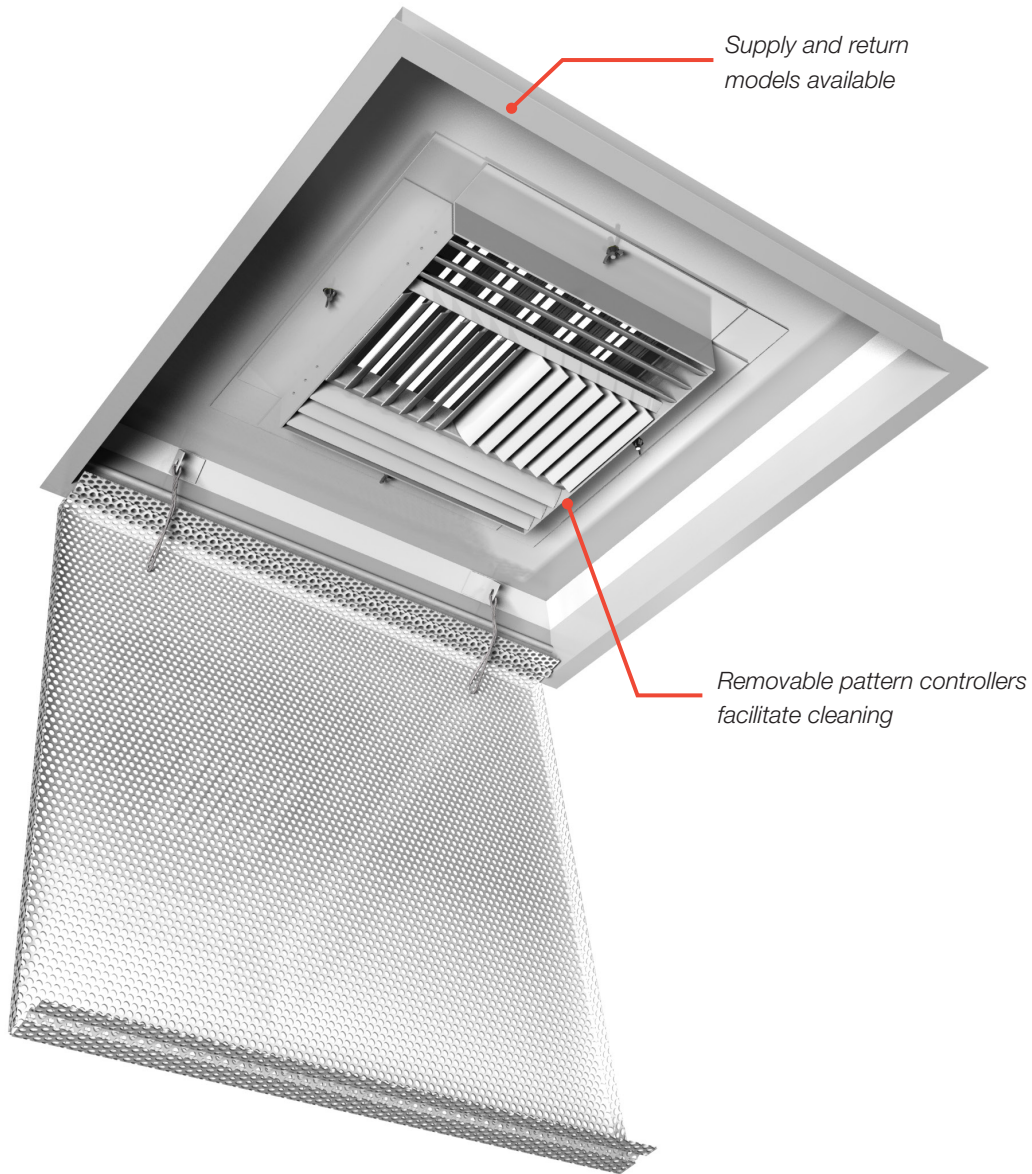
PERFORATED LABORATORY DIFFUSER



PDA

Perforated Laboratory Diffuser

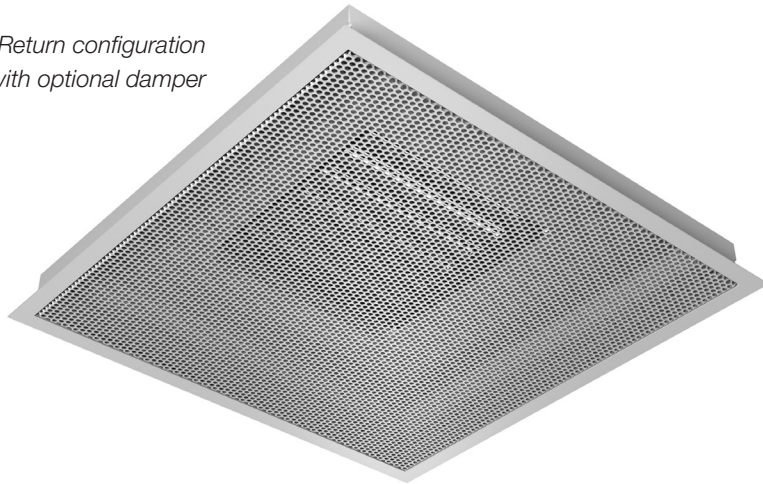
The unique design of the Perforated Laboratory Diffuser (PDA) features aluminum construction, ease of cleaning and an airtight backpan for ceiling integrity. Both supply and return models are available with matching perforated faces for a consistent look throughout the space.



PERFORMANCE AND FLEXIBILITY

- + The supply diffuser offers 4-way air pattern control with integrated, adjustable curved vanes.
- + Return or Supply diffusers can be provided with an optional stainless steel damper.

Return configuration with optional damper



CLEANING AND MAINTENANCE

- + PDA units satisfy all ASHRAE 170 requirements for diffuser cleaning and maintenance.
- + Powder coat paint finish formulated for routine exposure to hospital grade cleaning solutions and disinfectants.
- + Room-side removable diffuser face and retainer cables provide access to the plenum for cleaning or damper adjustment.
- + The integral pattern controllers and optional damper are easily removable to facilitate cleaning.

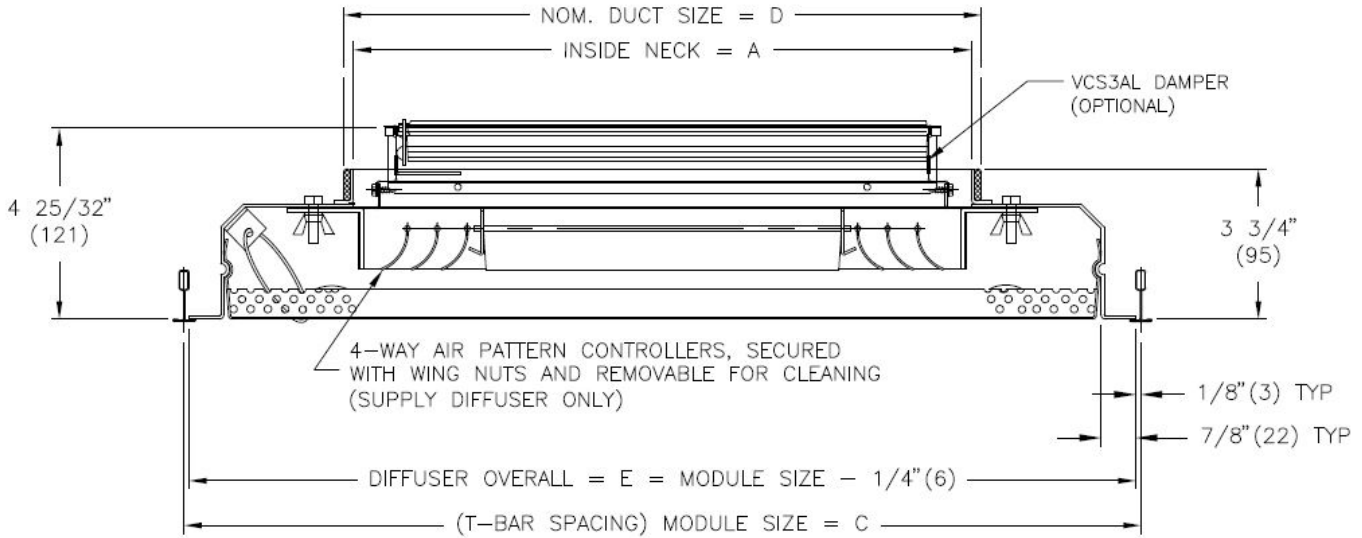
TYPICAL APPLICATIONS

The PDA diffuser is well suited for use in pharmaceutical labs, cleanrooms, and medical facilities. To best suit each application, both a supply and return option are available.

CONSTRUCTION

- + Size
 - 12 in. x 12 in.
 - 24 in. x 24 in.
- + Application
 - Supply
 - Return
- + Options
 - Stainless steel opposed blade damper (VCS3SS)

DIMENSIONAL DATA



Nominal Diffuser Size	Nominal Duct Size
24 in. x 24 in.	6 in. x 6 in.
	8 in. x 8 in.
	10 in. x 10 in.
	12 in. x 12 in.
	14 in. x 14 in.
	15 in. x 15 in.
	16 in. x 16 in.
	18 in. x 18 in.
12 in. x 12 in.	6 in. x 6 in.

PERFORMANCE DATA

Unit Size (in.)	Inlet Size (in.)	Air Flow (cfm)	Neck Velocity (fpm)	Static Pressure (in. w.g.)	Velocity Pressure (in. w.g.)	Total Pressure (in. w.g.)	Sound (NC)	Throw (ft.) 150-100-50 fpm
12 x 12	6 x 6	50	200	0.025	0.002	0.027	-	1-1-4
		75	300	0.076	0.006	0.082	19	1-1-5
		100	400	0.127	0.01	0.137	28	1-3-6
		125	500	0.203	0.016	0.219	35	2-4-8
		150	600	0.279	0.022	0.301	40	3-5-9
		175	700	0.394	0.031	0.425	45	4-5-11
24 x 24	10 x 10	139	200	0.018	0.002	0.02	-	3-5-9
		208	300	0.055	0.006	0.061	19	3-6-11
		278	400	0.092	0.01	0.102	29	5-8-12
		347	500	0.147	0.016	0.163	35	7-10-14
		416	600	0.202	0.022	0.224	41	8-11-15
		486	700	0.285	0.031	0.316	45	9-12-16
	12 x 12	200	200	0.023	0.002	0.025	-	3-6-11
		300	300	0.068	0.006	0.074	25	4-7-13
		400	400	0.113	0.01	0.123	34	7-10-15
		500	500	0.181	0.016	0.197	40	8-12-17
		600	600	0.249	0.022	0.271	46	10-13-18
		700	700	0.35	0.031	0.381	50	11-14-20
	15 x 15	313	200	0.039	0.002	0.041	18	4-7-13
		469	300	0.086	0.006	0.092	33	5-9-16
		625	400	0.153	0.01	0.163	40	8-12-19
		782	500	0.239	0.016	0.255	46	10-15-21
		938	600	0.345	0.022	0.367	52	12-16-23
		1094	700	0.468	0.031	0.499	55	14-17-25

Performance Notes:

1. NC = Noise Criteria. NC values are based on room absorption of 10dB, re 10⁻¹² watts.
2. Blanks "-" indicate an NC level below 15.
3. Throw values are given in feet to terminal velocities of 150 fpm (minimum), 100 fpm (middle) and 50 fpm (maximum).
4. Throw values are based on supply air and room air being at isothermal conditions.
5. tp and NC with no damper installed.
6. Tested in accordance with ASHRAE Standard 70-2006 "Method of Testing for Rating the Performance of Air Outlets and Inlets."



Product Improvement is a continuing endeavour at Price. Therefore, specifications are subject to change without notice. Consult your Price Sales Representative for current specifications or more detailed information. Not all products may be available in all geographic areas. All goods described in this document are warranted as described in the Limited Warranty shown at priceindustries.com. The complete Price product catalog can be viewed online at priceindustries.com.